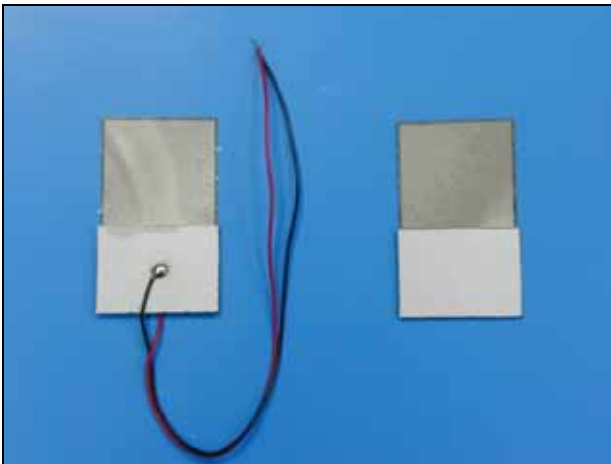


Ultrasonic Vibration Micro Nozzle



S. Square has dedicated in ultrasonic field over 21 years since 1980 and earned a worldwide reputation for his specialty, flexibility and sincerity in the past decades.

The ultrasonic vibration micro nozzle consists a piezoelectric ceramic and a metal foil, on which over thousands micro nozzles formed. Using the same principle as inkjet printer, this transducer atomizes water or liquids through a matrix of micro holes of around 7-10 μm .

The micro nozzles ultrasonic atomizing transducer can use siphon to draw small amount liquids to the surface of metal foil and then to atomize, which is much efficiency than the conventional ultrasonic atomizer for which a liquid tank with high level liquid has to be always loaded on the surface of ultrasonic transducers.

Features

- Fine and consistent misted particle size
- Adjustable misted particle size
- No loaded liquids require as comparing with conventional atomizers
- High atomizing efficiency
- Less power consumption
- High stability and durability

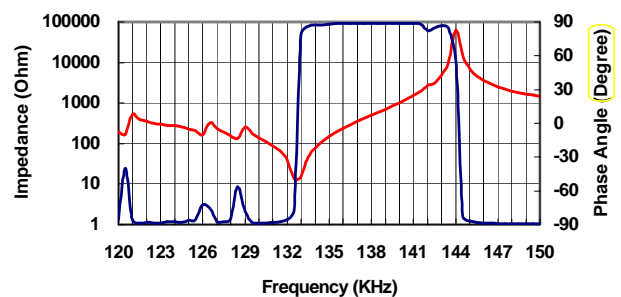
Applications

- Humidification in refrigerated food displays and storage, living environments, and air conditioning plants.
- Inhalation and disinfecting equipment
- Humidification in industrial process control for lubrication, coating and etc.
- Liquids dispensing systems

Specification:

Model Number	M2313500
Resonant Frequency	135.0 \pm 5KHz
Impedance	10 Ohm typ.
Capacitance	2450 \pm 20% pF
Dimensions	L: 29.20 mm W: 17.35 mm T: 1.0 mm (PZT Element) t: 50 μm (Metal)
Metal Material	Ni-Co Alloy
Nozzle size	7 – 10 μm

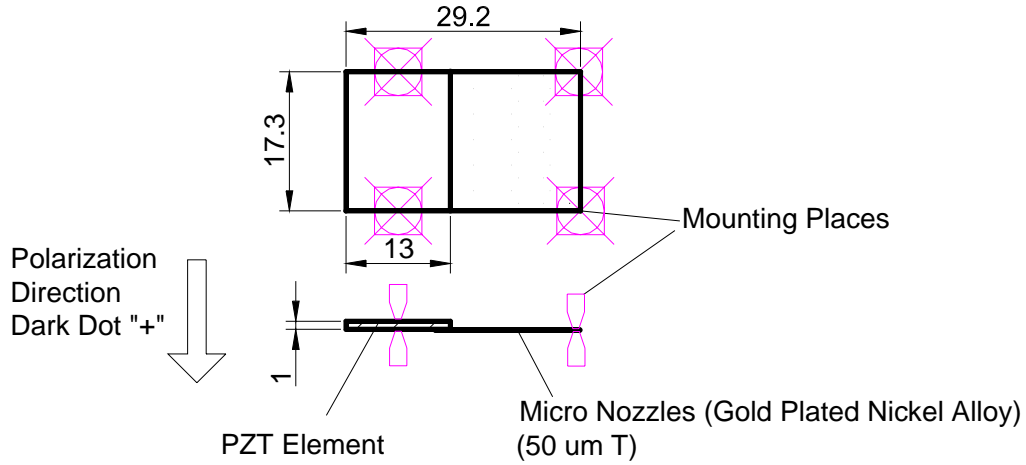
Impedance/Phase Angle:



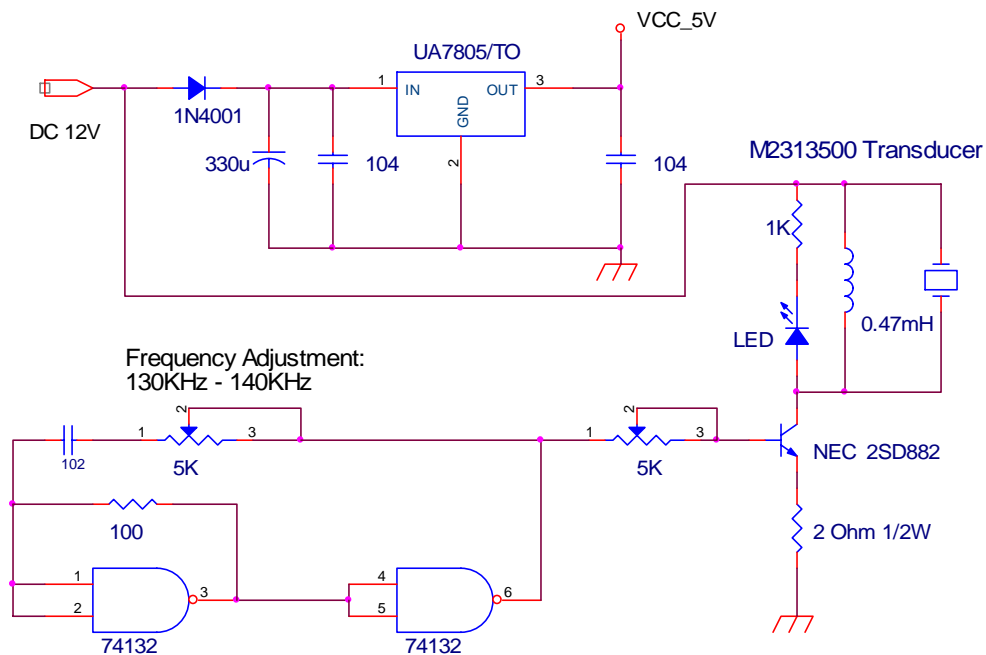
S. Square Enterprise Company, Limited
Pro-Wave Electronics Corporation

Micro Nozzles Ultrasonic Atomizing Transducers

Construction:



Driving Circuit:



Remark: The negative side faces to the opening, the positive side faces to the liquid source, if driving circuit uses NPN transistor.